

# ICS-NH

INDUSTRIAL CONSULTING & SALES

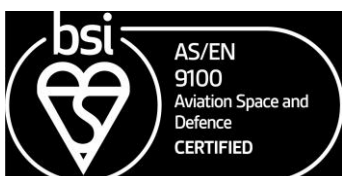
## PTM-10

### Miniature Pressure Temperature Transmitter

- Small dimensions
- Stainless steel port and housing
- Ratiometric voltage output for Pressure, PT1000 2 wire output
- Wide pressure ranges
- Several connection options
- Several electrical options

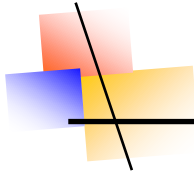


Technical Specification (General)		
Feature	Unit	Data
Measurement Range <sup>(1)</sup>	psi	0 ... 30 psig to 0 ... 8,700 psig
Output Signal (ratiometric)	V	0.5 ... 4.5 @ 5V <sub>SS</sub>
Supply Voltage	V DC	5
Nonlinearity	%FS	< 0.2
Hysteresis	%FS	< 0.2
Repeatability	%FS	< 0.1
Operating Temperature Range	°F	-40 ... +300
Pressure Overload		2 * nominal pressure
Burst Pressure		5 * nominal pressure



ICS-NH • Norbert Heinrich • Wolfener Str. 32-34 • 12681 Berlin  
Phone: +49 30 80408666 • Fax: +49 30 80408668 • Cell: +49 172 7403718 • E-Mail: info@ics-nh.de  
Bankverbindung: IBAN: DE65100900007025795002 • BIC: BEVODE33  
St.-Nummer 31/337/65290 Finanzamt Berlin (Friedrichshain – Kreuzberg) • USt-Nr.: DE258546892

Stand 2020/02



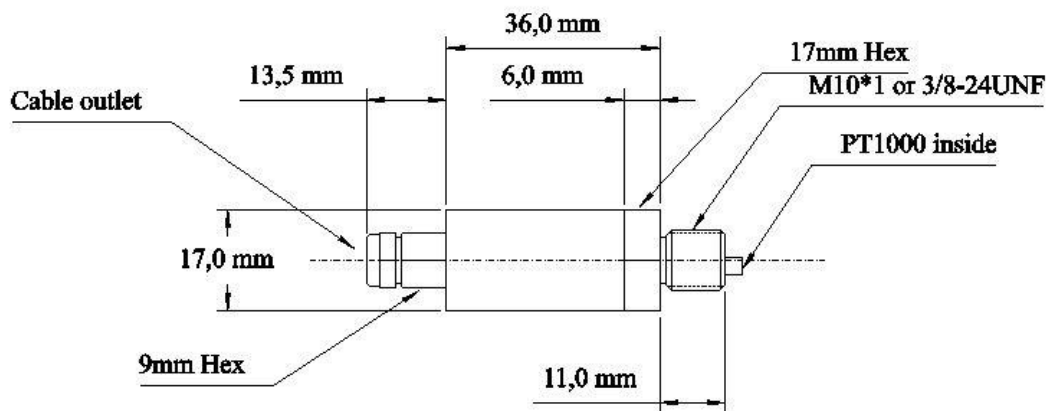
# ICS-NH

INDUSTRIAL CONSULTING & SALES

Electrical Connection		Cable, connector, custom
-----------------------	--	--------------------------

Other data on request

Mechanical Details:



Dimensions in mm

The drawing above shows the dimensions of a standard housing. There are several options for the dimensions as well as for the thread available on request.

Electrical options (examples):

- Fixed voltage output (e.g.: 0...5V; 0...10V; others)
- Current output 4...20mA self-supplied
- Digital output I2C; SPI, others

Other data and more options on request

