

MPT 4P

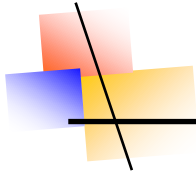
Passive Miniature Pressure Transmitter

- **Full Passive Transducer**
- Extremely small dimensions
- Stainless steel
- 100 mV output
- Wide pressure ranges
- Several connection options



<u>Technical Specification</u>		
Feature	Unit	Data
Measurement Range ⁽¹⁾	psi	0 ... 30 psi to 0 ... 6,000 psi
Output Signal	mV	100m V @ 5VDC Supply
Supply Current	mA	< 2
System Description		Thin Film Pressure Sensor with full passive compensation circuit for a bridge output of 100mV @ 5V supply

⁽¹⁾ Pressure range is defined by client



ICS-NH

INDUSTRIAL CONSULTING & SALES

Feature	Unit	Data
Nonlinearity	%FS	< 0.5
Hysteresis	%FS	< 0.2
Repeatability	%FS	< 0.1
Operating Temperature Range	°F	- 85 ... + 275
Pressure Overload		2 * nominal pressure
Burst Pressure		5 * nominal pressure
Electrical Connection		Cable, M4 connector, custom

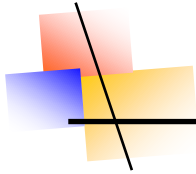
Other data on request

System description:

This system uses a thin film pressure sensor made of stainless steel (17-4PH), which is e-beam welded on the pressure port. For signal conditioning, just passive components are used. The unit is temperature compensated over the full operating range.

More data and details on request



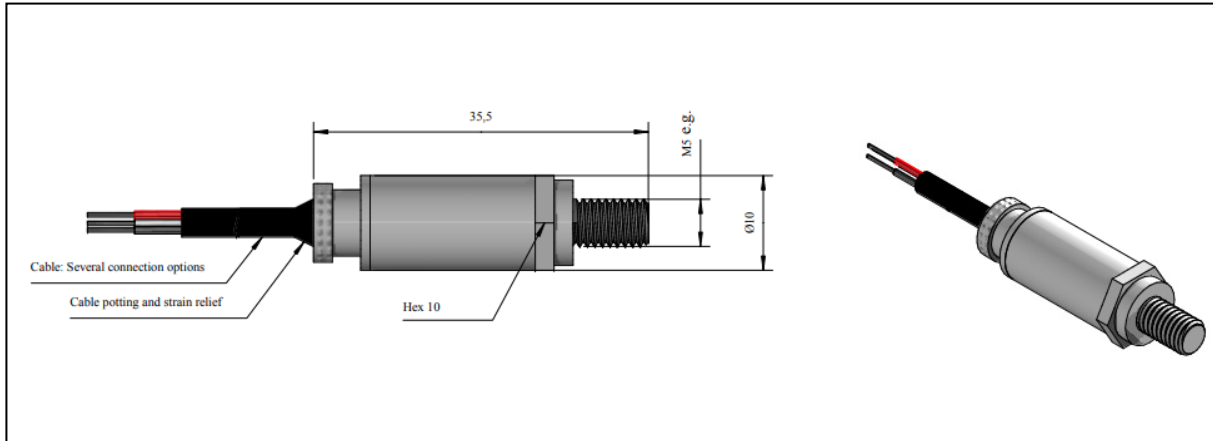


ICS-NH

INDUSTRIAL CONSULTING & SALES

Mechanical Details

Cable Version:



Dimensions in mm

Other data on request